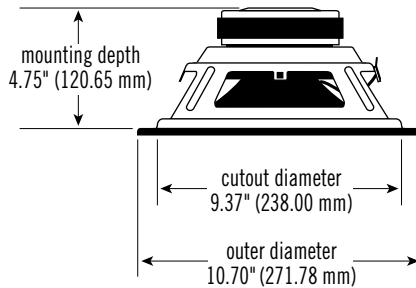


SPECIFICATIONS

DIAMETER:	10" (264.0 mm)
SENSITIVITY (2.83V @ 1 m):	93 dB
POWER HANDLING:	250 Wrms
FREQUENCY RESPONSE:	20 ~ 500 Hz
NOMINAL IMPEDANCE:	4 OHMS (PER COIL)
VOICE-COIL DIAMETER:	2.0" (50.65 mm)

DIMENSIONS:

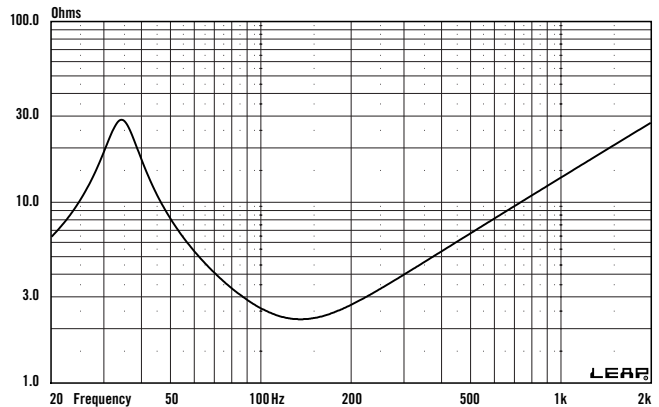


THIELE-SMALL PARAMETERS*

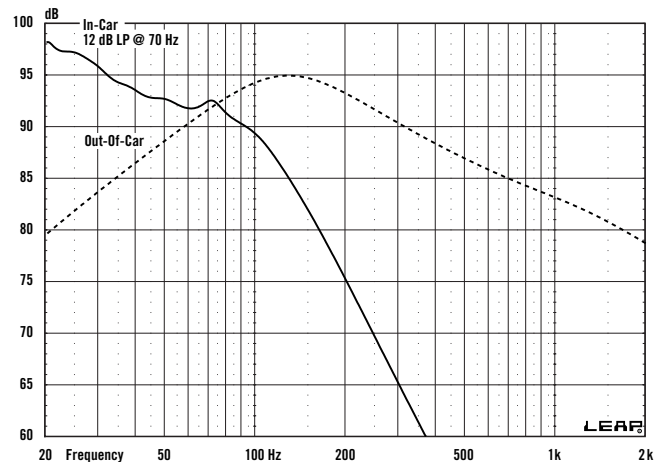
VOICE COIL DC RESISTANCE:	REVC (OHMS)	2.10
VOICE COIL INDUCTANCE @ 1 kHz:	LEVC (MH)	2.20
DRIVER RADIATING AREA:	SD (IN ²)	54.17
	SD (CM ²)	351.00
MOTOR FORCE FACTOR:	BL (TM)	10.47
	COMPLIANCE VOLUME:	VAS (FT ³)
	VAS (LITERS)	45.87
SUSPENSION COMPLIANCE:	CMS (μM/N)	262.19
MOVING MASS, AIR LOAD:	MMS (GRAMS)	81.10
MOVING MASS, DIAPHRAGM:	MMD (GRAMS)	77.32
FREE-AIR RESONANCE:	Fs (Hz)	34.51
MECHANICAL Q:	QMS	4.25
ELECTRICAL Q:	QES	0.33
TOTAL Q:	QTS	0.31
MAGNETIC-GAP HEIGHT:	HAG (IN)	0.31
	HAG (MM)	8.00
VOICE-COIL HEIGHT:	HVC (IN)	1.11
	HVC (MM)	28.1
MAXIMUM EXCURSION:	XMAX (IN)	0.40
	XMAX (MM)	10.05

*VOICE COILS CONNECTED IN PARALLEL

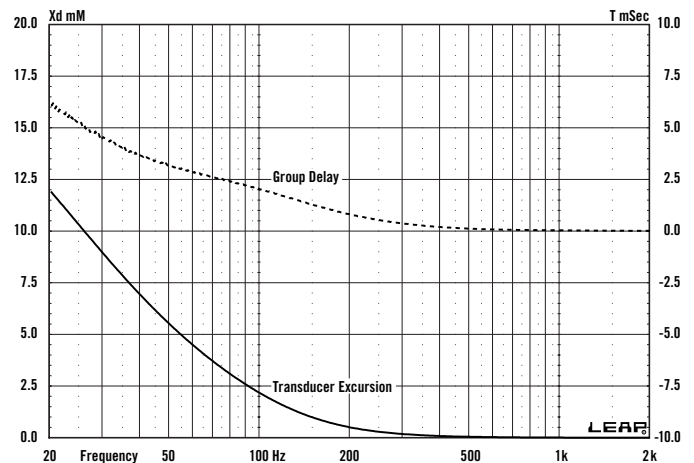
IMPEDANCE CURVE



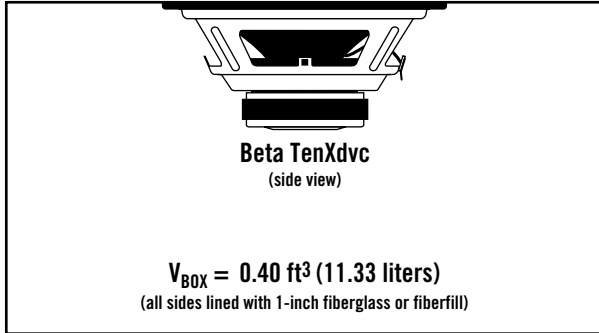
INFINITE BAFFLE FREQUENCY RESPONSE @ 2.83 V



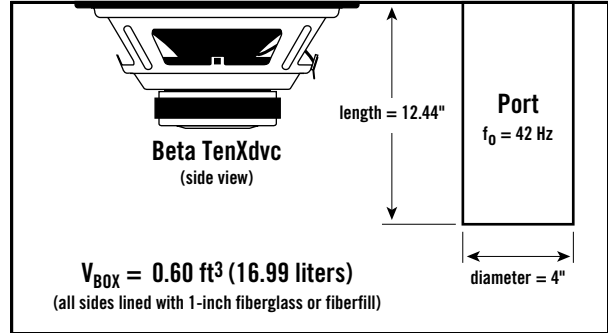
INFINITE BAFFLE EXCURSION/GROUP DELAY @ 100 W



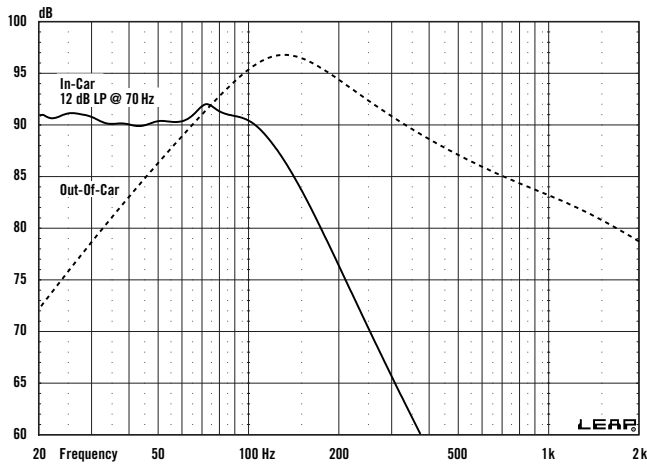
SEALED BOX VOLUME



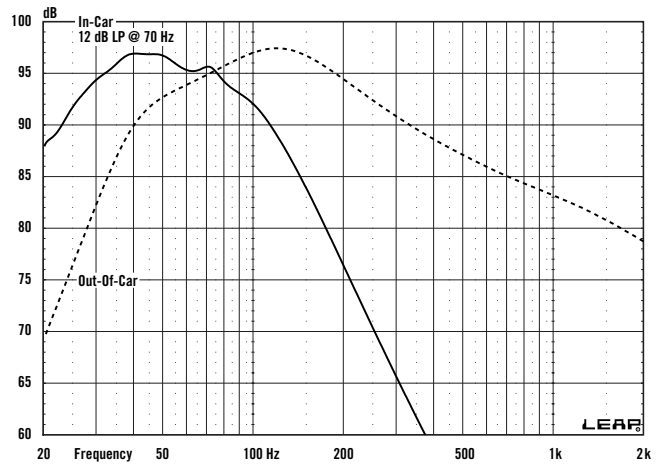
VENTED BOX VOLUME



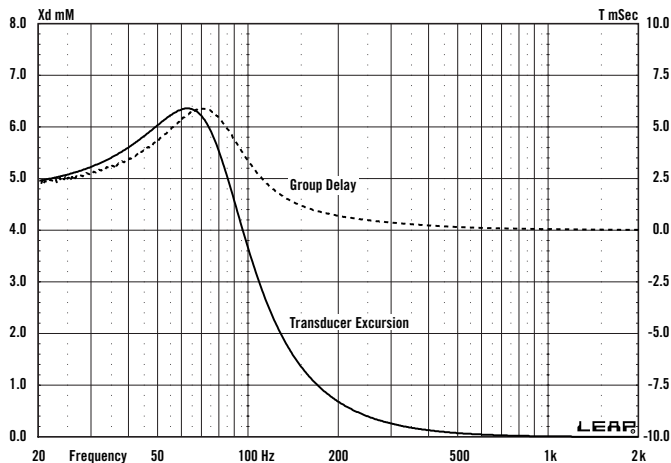
SEALED FREQUENCY RESPONSE @ 2.83 V



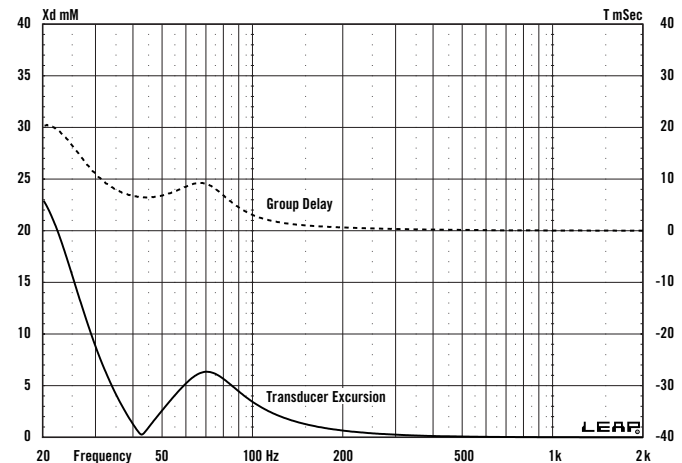
VENTED FREQUENCY RESPONSE @ 2.83 V



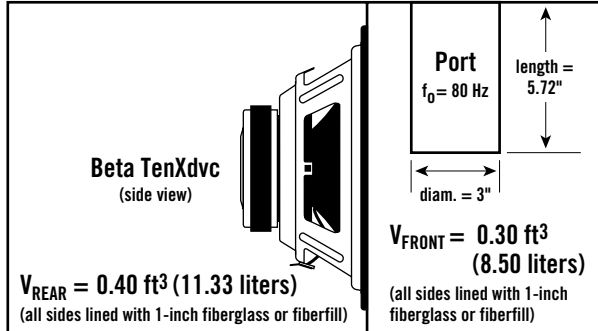
SEALED EXCURSION/GROUP DELAY @ 300 W



VENTED EXCURSION/GROUP DELAY @ 350 W

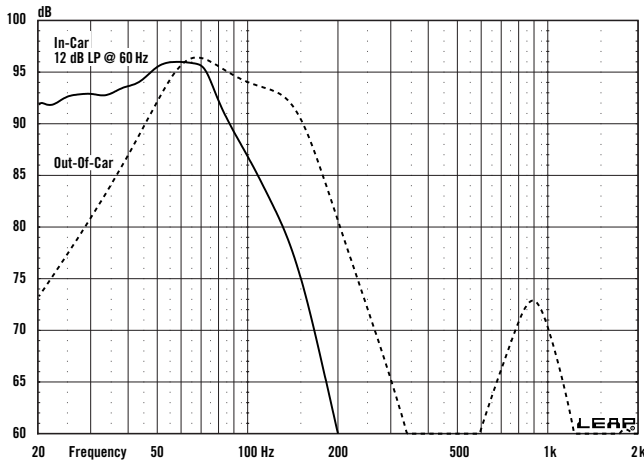


SEALED BANDPASS BOX VOLUME



NOTES

SEALED BANDPASS FREQUENCY RESPONSE @ 2.83 V



SEALED BANDPASS EXCURSION/GROUP DELAY @ 250 W

